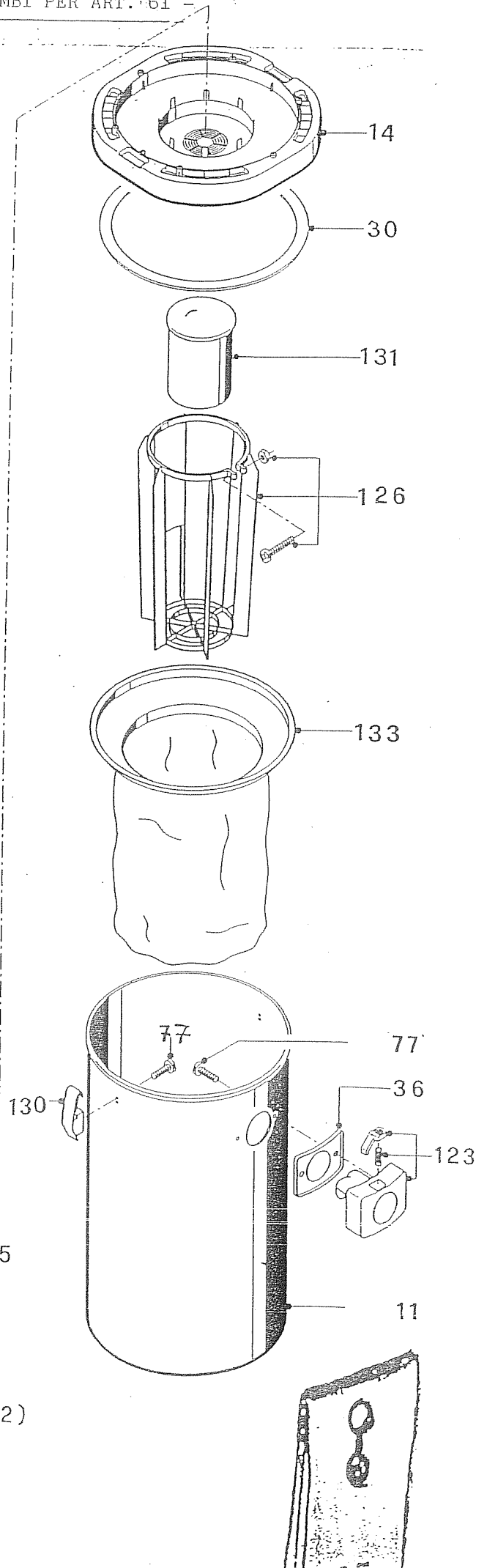
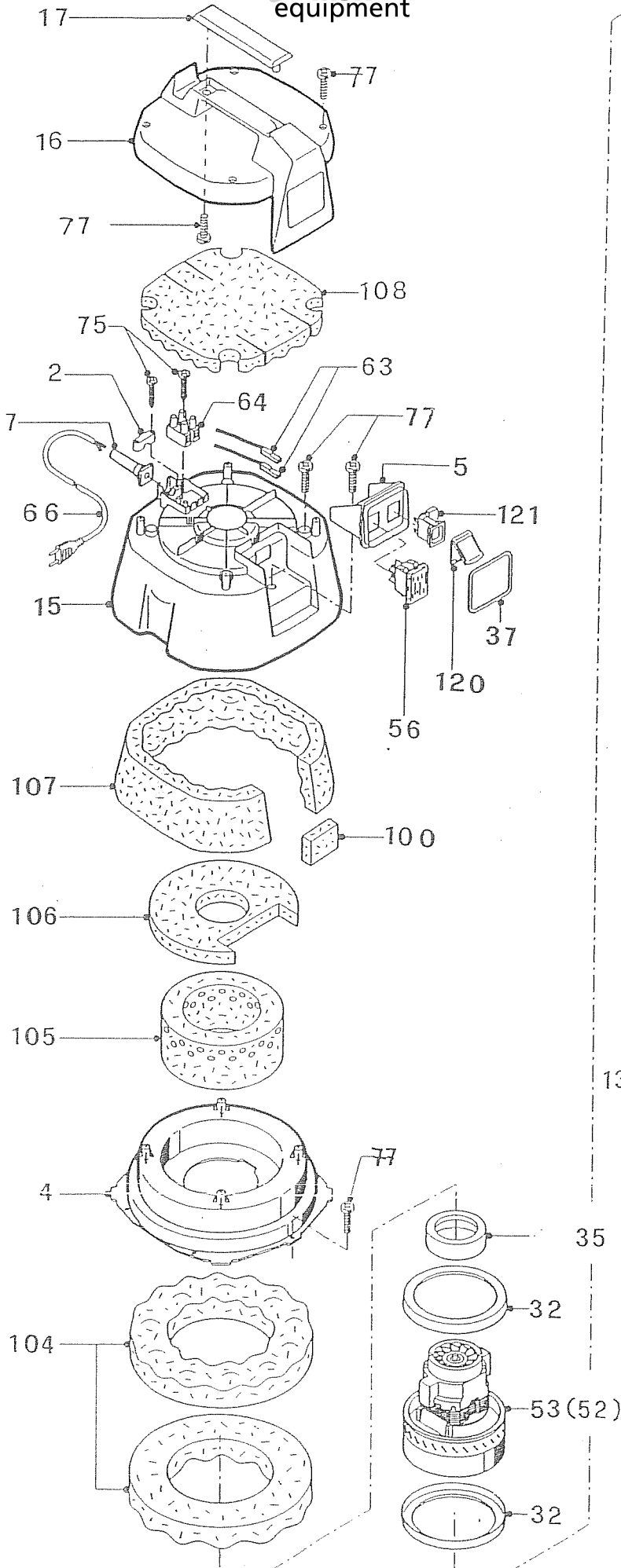




MSH  
equipment



2	2001340	bridge-shaped cable stopper
4	2009200	separator washer AS10
5	2009250	control board AS10
11	2207010	polypropylene body WS1
14	2209104	grey motor base AS10
15	2209310	yellow cover AS10
16	2209404	grey handle AS10
17	2209504	grey handle cover AS10
27	2502000	fairlead
30	2502400	base gasket BWS1
32	2502500	motor gasket WS1
35	2502518	"L" gasket thck 2.5 SP (AS40)
36	2502550	outlet gasket D.50
37	2502605	control board gasket
52		motor A/40 V. 250 WATT 1070
56	2506230	bipolar switch
63	2506420	white plait
64	2506470	two-element terminal
66	2507000	cable
75	2508500	screw TCC 3x20
76	2508570	screw TCC 5x16 SP
77	2508591	screw TCC 5x22 CP (AS27 P)
100	3000053	sticky protection for plaits
104	3000600	fireflex base AS10
105	3000601	fireflex washer 35 holes
106	3000602	fireflex-cover cooling AS10/ A/39
107	3000603	fireflex cover AS10 A/39
108	3000604	fireflex-handle AS10
120	3004990	socket protection
121	3005010	socket + condenser
123	6000205	nylon outlet assembly
126	6000503	filter stretch basket WS 1
130	6100002	closure assembly WD400
131	6101100	float assembly
133	6620000	filter assembly WS1
135	60-0060	disposable dust collector bag